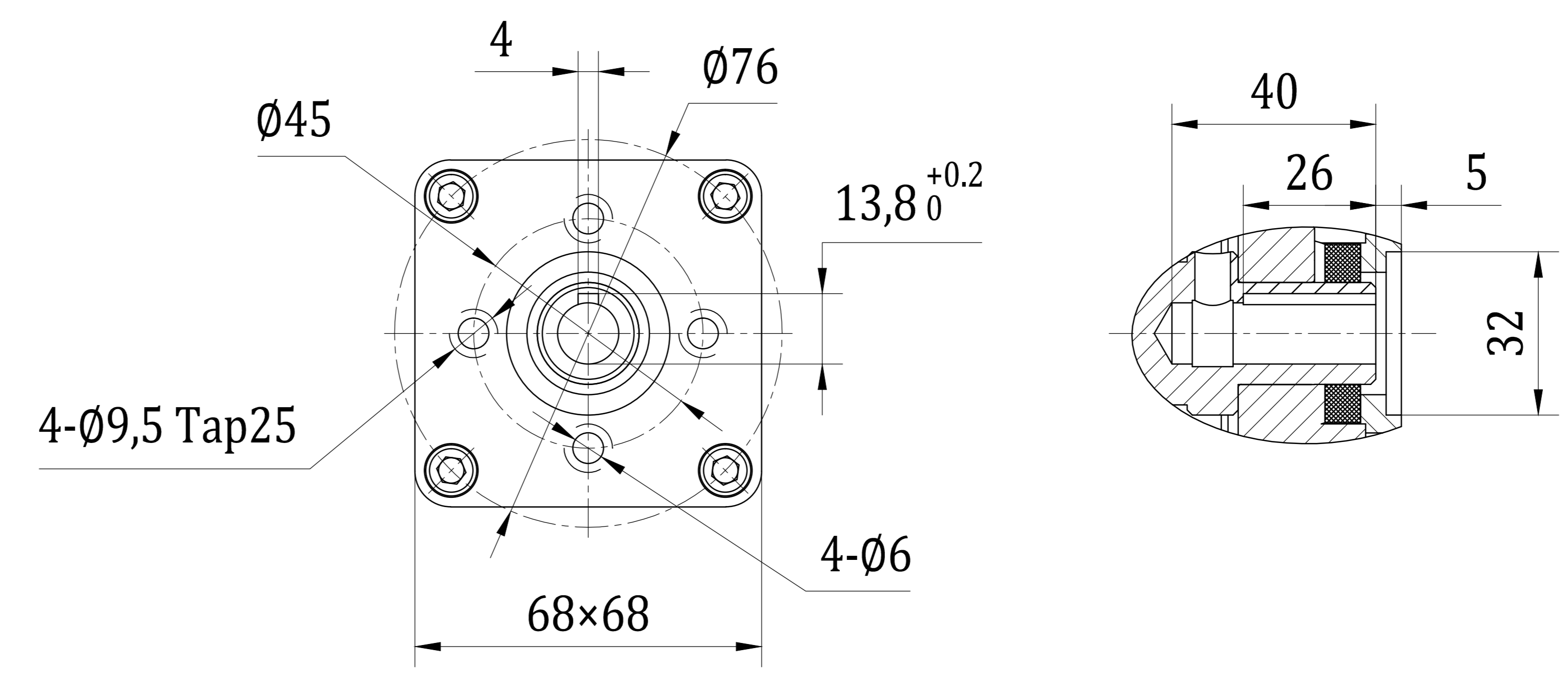
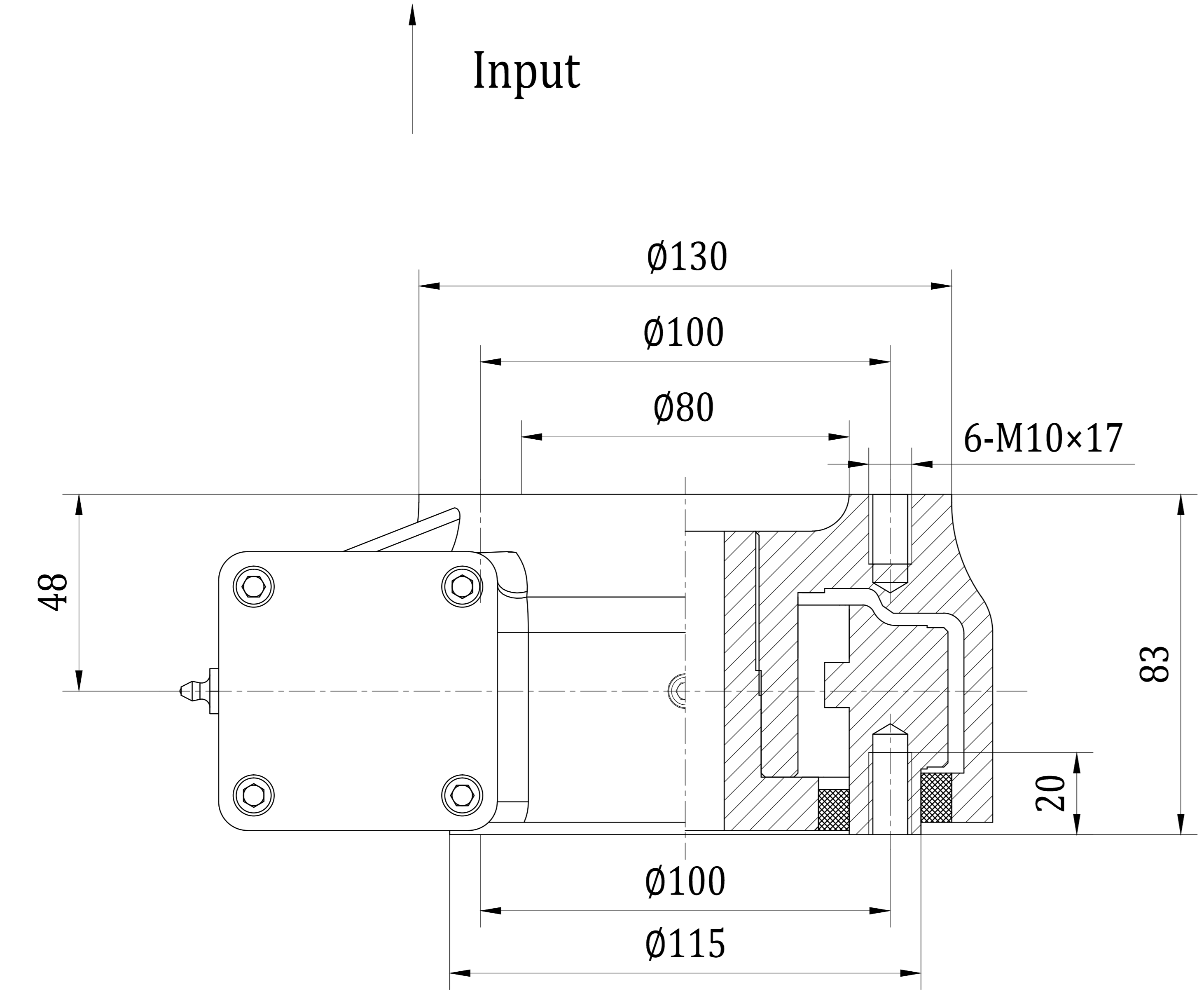
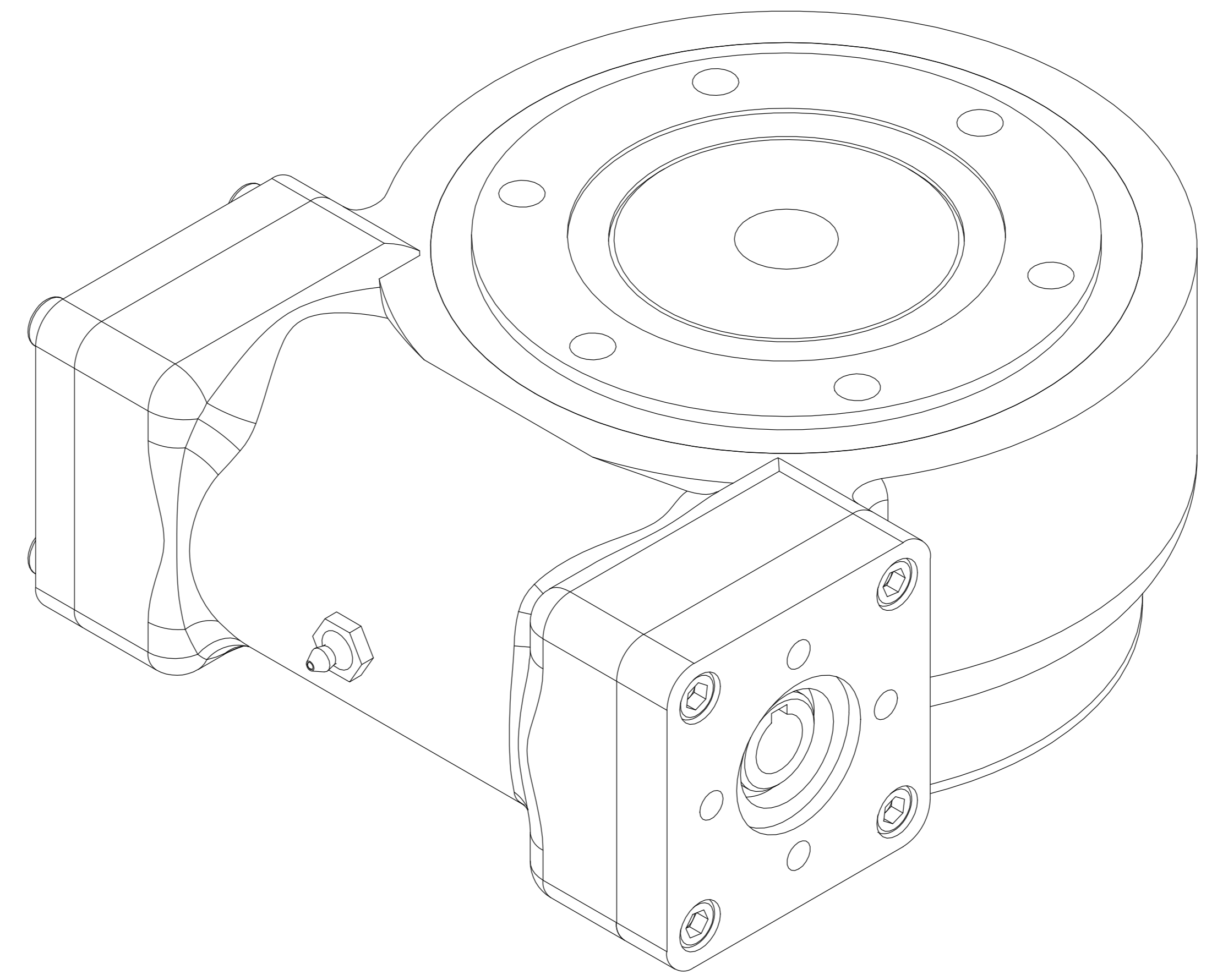
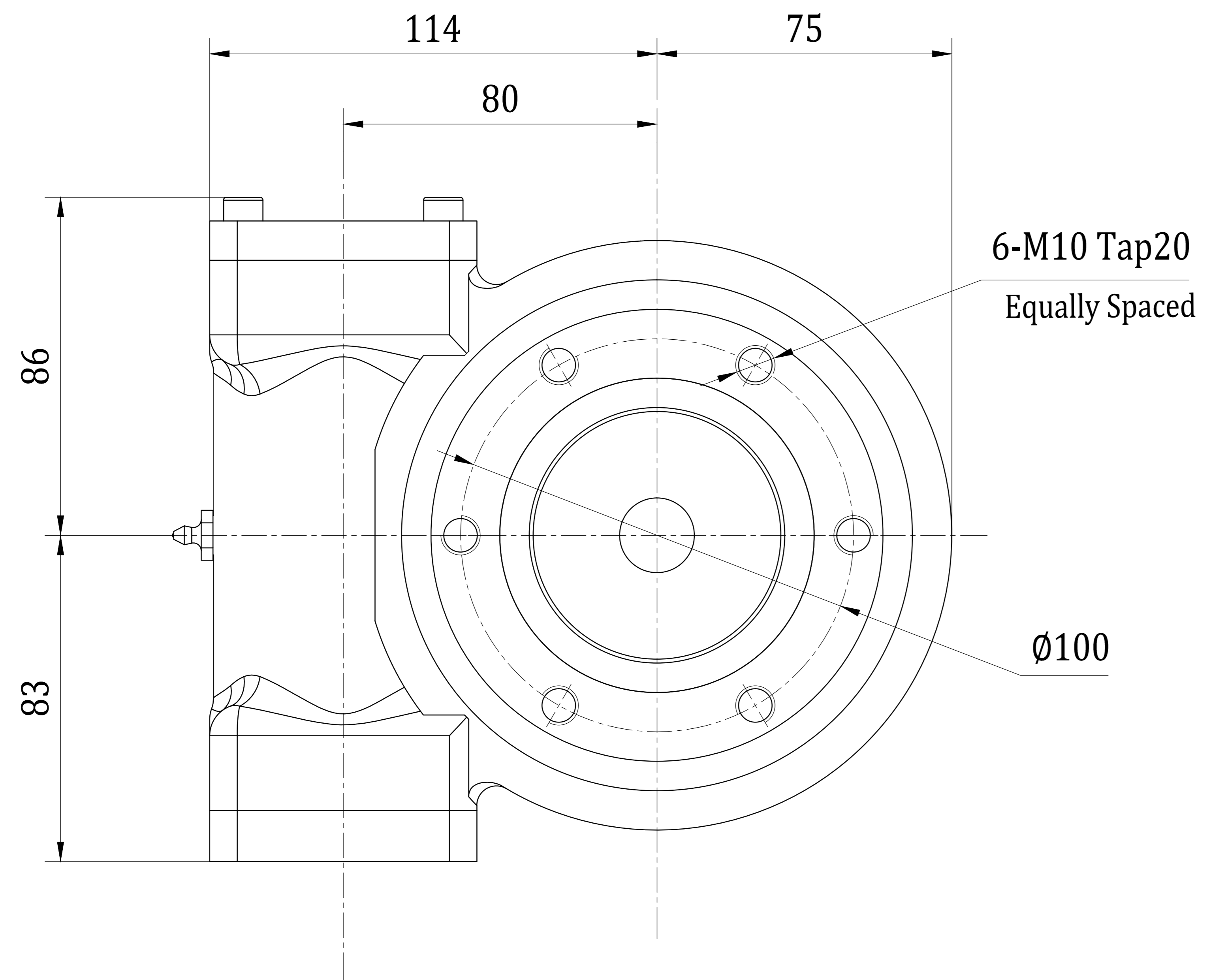
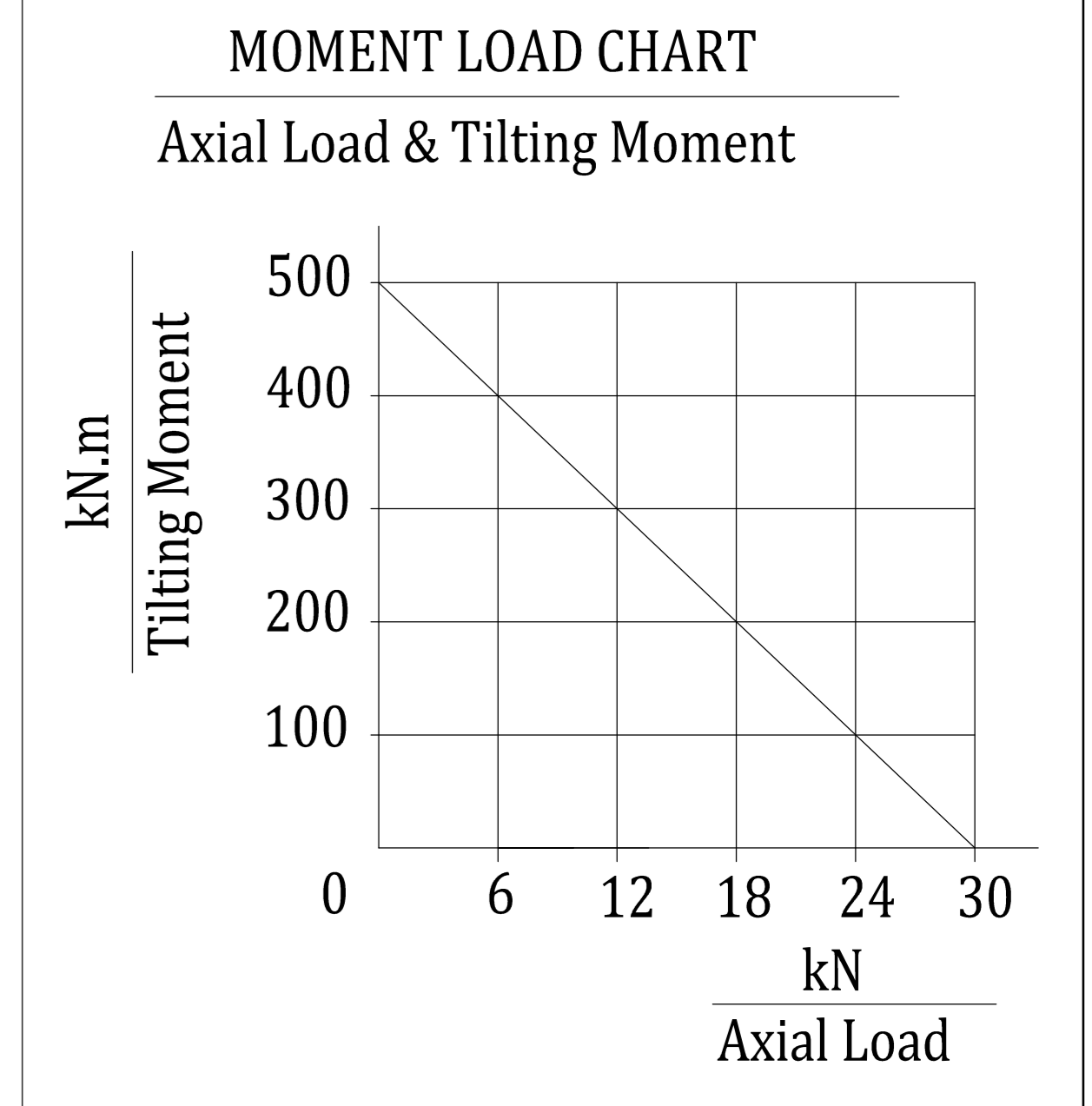

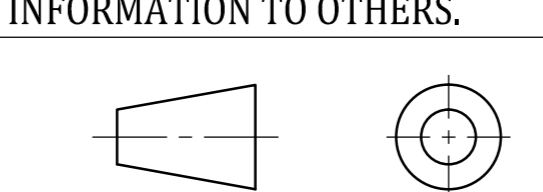


Slewing Drive Performance Parameters		
Rated Output Speed (max)	<3rpm	
Output Torque (max)	800N.m	590 lbf.ft
Tilting Moment	500 N.m	369 lbf.ft
Holding Torque	2000N.m	1479 lbf.ft
Static Axial Rating	30 kN	6750 lbf
Static Radial Rating	15 kN	3375 lbf
Dynamic Axial Rating	9.6 kN	2160 lbf
Dynamic Radial Rating	8.4 kN	1890 lbf
Gear Ratio	62:1	
Precision	≤0.2°	



REV	DATE	REVISER	REVISER		
DESIGNED BY	2019/8/1	Li Ming	 www.coresundrive.com Coresun Drive Equipment Changzhou Co., Ltd.		
CHECKED BY	2019/8/1	Rui Wang			
APPROVED BY	2019/8/1	Shane Zhang			
ALL PROPRIETARY RIGHTS IN THE SUBJECT MATTER HERE OF ARE RESERVED, AND NO PERMISSION IS GRANTED OR TO DISCLOSE REPRODUCE THIS PRINT IN WHOLE OR IN PART, ANY OF THE INFORMATION TO OTHERS.			WEIGHT	SCALE	<h2>Slewing Drive</h2>
			15 kg	1:3	
			SIZE	A3	
SYMBOLS ISO			SHEET	1/1	SC3-62B-12RC
					REV A